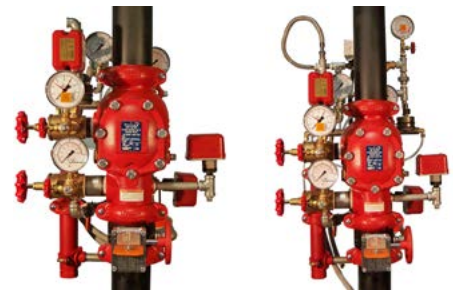


# FireLock NXT™ Actuated Valve with LPCB Approved Preaction Trim

LPCB

104g/01



PATENTED

**SERIES 769**

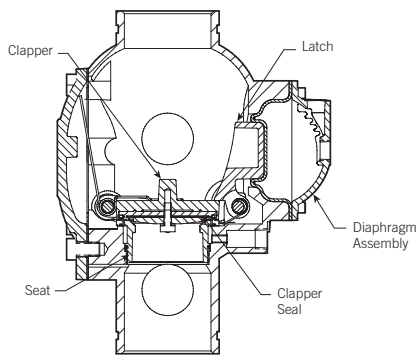
with:

- Electric Activation with Redundant Solenoid Valve
- Electric Activation with Redundant Solenoid Valve and AutoConvert Dry Trim
- Double Interlocked Pneumatic/Electric Activation with Redundant Solenoid Valve
- Double Interlocked Pneumatic/Electric Activation with Redundant Solenoid Valve and AutoConvert Dry Trim

The patented Victaulic Series 769 FireLock NXT™ Preaction Valve controls the water supply entry into the Preaction system piping and sprinklers. The preaction system is normally supervised with pressurized air or nitrogen in order to detect any leaks in the system. The Series 769 valve is a low differential, latched clapper valve that uses a unique, direct-acting diaphragm to separate system water supplies from Preaction pipe sprinkler systems. The positive latching mechanism uses the supply water pressure from upstream (city side) of the main control valve to hold the clapper shut. When the water pressure in the diaphragm chamber is released the latch retracts from the clapper and the valve actuates. The low differential and unique latch and actuator design of the valve allow the valve to be self-resetting; therefore it is not necessary to remove the cover. The low differential design is not subject to water columns.

AutoConvert Dry Trim Option: Recommended for Preaction applications where reliability of power supply is a concern. In the event of an AC power loss, the AutoConvert module latches from Closed to Open with a quick electrical pulse. To stay open, no further current draw is required as would be needed in a normally-open solenoid. This opened pathway allows the included Series 776 Low Pressure Actuator to operate as a dry actuator, putting the preaction system into a Non-Interlocked condition. In this case, an air loss in the system piping or an electrical release from the Fire Alarm Control Panel (FACP) would allow the Series 769 valve to actuate, filling the piping with water. Upon an AC power return, the Auto-Convert module senses the restoration and latches the path from the Series 776 Low Pressure Actuator closed, returning the preaction valve to its standard release method.

**FEATURES**



Exaggerated for Clarity

NOTE: Valve is shown in the “set” position

The valve allows the water to operate a water motor alarm and/or electric pressure alarms, which continue until the flow of water stops.

The valve is rated to 300psi/2065 kPa water working pressure and is factory tested hydrostatically to 600psi/4135 kPa for sizes 1 ½ – 8”/40 – 200mm. Required air pressure is 13psi/90 kPa. The Series 769 is available grooved x grooved. Standard grooved dimensions conform to ANSI/AWWA C606.

Victaulic Series 769 Preaction valves do NOT require a separate check valve in the preaction system and feature a straight-through valve body design that provides superior flow and low-pressure drop. The valve body is tapped with a special drain for a complete system. The valve has simple access to all internal parts for easy maintenance. All internal parts are replaceable.

Maintenance and service can be performed from the installed position. The rubber clapper seal is replaced easily without removing the clapper from the valve. The body is tapped for main drain and all available trim configurations. The valve is painted inside and out to increase corrosion resistance.

The Victaulic Series 769 FireLock NXT Preaction valve trim includes an alarm test valve, which allows testing of the alarm system without reducing the system pressure.

**NOTE:** The bare valve carries VdS approvals for deluge applications only. There is no VdS recognition of the preaction configurations. The AutoConvert trim configurations are FM and LPCB Approved only.

**JOB/OWNER**

System No. \_\_\_\_\_

Location \_\_\_\_\_

**CONTRACTOR**

Submitted By \_\_\_\_\_

Date \_\_\_\_\_

**ENGINEER**

Spec Sect \_\_\_\_\_ Para \_\_\_\_\_

Approved \_\_\_\_\_

Date \_\_\_\_\_

www.victaulic.com

VICTAULIC IS A REGISTERED TRADEMARK OF VICTAULIC COMPANY. © 2018 VICTAULIC COMPANY. ALL RIGHTS RESERVED.

REV\_D



# FireLock NXT™

## Actuated Valve with LPCB Approved Preaction Trim

### SERIES 769

With Preaction Trim  
Grooved x Grooved

#### INSTALLATION OPTIONS

##### Vic-Quick Riser

The Vic-Quick Riser comes completely pre-trimmed and includes a shut off valve (uses a Series 705W or Series 705 FireLock Butterfly valve – request publication 10.18 or 10.81. For 1 ½ and 2" / 40 and 50mm sizes, the Vic-Quick Riser may come with a Series 728 Ball Valve – request publication 10.17) for system shut off, pre-set pressure switches, and a drain kit for ease of installation.

#### RELEASE MECHANISM OPTIONS

##### Single Interlocked

Single-interlocked systems are designed so that either an event detection by the release mechanism or loss of supervisory air in the sprinkler system will cause the valve to operate. When the valve operates, water will enter the sprinkler system and flow from any open sprinklers or other openings in the system.

*Pneumatic/Electric Release:* The Victaulic electric release system uses an electric solenoid valve, approved electric panel and a compatible detection system. When EITHER an electric detection or a system sprinkler operates, the water in the diaphragm chamber is released and the valve operates. If there is an electric detection and a system sprinkler does not operate, water will fill the sprinkler system, alarms will be activated and the Victaulic Series 769 Actuated Valve will act as an Alarm Check Valve. If the valve is actuated by the activation or damage of a sprinkler system sprinkler, water will enter the system and flow from any open sprinklers. Alarms will activate due to water entering the intermediate chamber of the valve.

*Electric Release:* The Victaulic Electric Release System uses an electric solenoid valve, approved electric panel and a compatible detection system. Only when a release system event occurs, will the water in the diaphragm chamber be released and the valve operate. Pneumatic pressure is maintained in the sprinkler system only for supervisory purposes and a low pressure alarm is installed in the sprinkler system in order to detect any leaks in the system. If there is an electric release activation and a sprinkler system sprinkler does not operate, the valve will operate and water will fill the sprinkler system, alarms will be activated and the Victaulic Series 769 Actuated Valve will act as an Alarm Check Valve. If a system sprinkler is damaged or activates and there is no release mechanism detection, the low pressure alarm in the system will activate but the valve will not operate and no water will flow until there is a release detection.

*AutoConvert Trim:* In the event of an AC power loss, the AutoConvert module latches from Closed to Open with a quick electrical pulse. To stay open, no further current draw is required as would be needed in a normally open solenoid. This opened pathway allows the included Series 776 Low Pressure Actuator to operate as a dry actuator, putting the preaction system into a Non-Interlocked condition. In this case, an air loss in the system piping or an electrical release from the FACP would allow the Series 769 valve to actuate, filling the piping with water. Upon an AC power return, the Auto-Convert module senses the restoration and latches the path from the Series 776 Low Pressure Actuator closed, returning the preaction valve to its standard release method. This automatic sensing and automatic action allows continuous fire protection in the event of an AC power loss and possible battery backup failure.

# FireLock NXT™

## Actuated Valve with LPCB Approved Preaction Trim

### SERIES 769

With Preaction Trim  
Grooved x Grooved

#### RELEASE MECHANISM OPTIONS

##### Double Interlocked

Double interlocked systems are designed so that the valve will actuate only in the event of multiple fire detections by the release mechanisms. If a single release event occurs alarms will sound but the valve will not operate and water will not flow until a second release event is detected. Double interlocked systems are commonly used in refrigerated systems and in systems where water entering the sprinkler system is critical as well as when accidental discharge of water is critical.

*Pneumatic/Electric Release:* The electric/pneumatic preaction system uses both an electric release system, (composed of an approved solenoid valve, electric panel and an appropriate sensor), and pneumatically pressurized sprinkler system. The Victaulic Series 769 Actuated Valve will activate ONLY when there is a pressure loss in the sprinkler system AND the electric detection of a release event. In the event of a loss of pressure in the sprinkler system without an electric detection the valve will not actuate until a second release event is detected. In this way if there is accidental damage to the sprinkler system no water will flow. Additionally, if there is an electric detection and no pressure loss in the sprinkler system the valve will not actuate. Alarms will activate in both cases alerting the user of a detection condition.

*Electric-Pneumatic/Electric:* The electric-pneumatic/electric release uses two electric detection devices, a fire detection device and a low pressure switch installed in the sprinkler system. Both electric detection devices are wired into an approved control panel in a “cross-zoned” configuration. The electric control panel controls a solenoid valve piped to the Victaulic Series 769 Actuated Valve piston. In the event of a fire detection device activation and no pressure loss in the sprinkler system the control panel will not trigger the solenoid valve and the valve will not actuate. If there is a loss of pressure in the sprinkler system due to damage or a sprinkler activating and no fire detection the control panel will not trigger the solenoid and the valve will not actuate. The valve will actuate ONLY when BOTH a fire detection event and loss of system pressure occurs. When BOTH signals are received by the control panel the panel triggers the solenoid valve. This allows the water supply pressure in the Series 769 diaphragm chamber to be released and the valve will actuate allowing water into the system.

*Electric/Electric:* The electric/electric release uses two zones of electric detection devices installed in the sprinkler system. Both zones of electric detection devices are wired into an approved control panel in a “cross-zoned” configuration. The electric control panel controls a solenoid valve piped to the Victaulic Series 769 Actuated Valve diaphragm charge line. In the event of a single electric fire detection device activation, the control panel will not trigger the solenoid valve and the valve will not actuate. If there is a loss of pressure in the sprinkler system due to damage or a sprinkler activating and no fire detection the control panel will not trigger the solenoid and the valve will not actuate. The valve will actuate ONLY when BOTH zones of electric fire detection devices are activated. When BOTH signals are received by the control panel, the panel triggers the solenoid valve. This allows the water supply pressure in the Series 769 diaphragm chamber to be released and the valve will actuate allowing water into the system. In this configuration, a minimum air pressure is required to maintain supervisory alarms and low pressure switches.

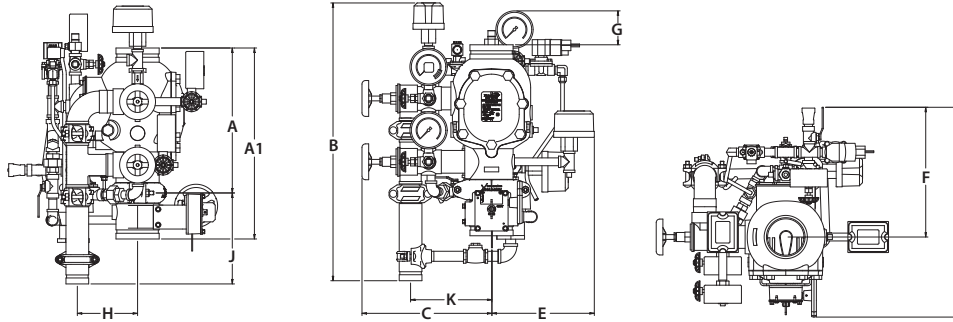
*AutoConvert Trim:* In the event of an AC power loss, the AutoConvert module latches from Closed to Open with a quick electrical pulse. To stay open, no further current draw is required as would be needed in a normally open solenoid. This opened pathway allows the included Series 776 Low Pressure Actuator to operate as a dry actuator, putting the preaction system into a Non-Interlocked condition. In this case, an air loss in the system piping or an electrical release from the FACP would allow the Series 769 valve to actuate, filling the piping with water. Upon an AC power return, the Auto-Convert module senses the restoration and latches the path from the Series 776 Low Pressure Actuator closed, returning the preaction valve to its standard release method. This automatic sensing and automatic action allows continuous fire protection in the event of an AC power loss and possible battery backup failure.

# FireLock NXT™ Actuated Valve with LPCB Approved Preaction Trim

**SERIES 769**

With Preaction Trim  
Grooved x Grooved

## SYSTEM TRIM DIMENSIONS



Size		Dimensions – inches/mm											Aprx. Weight Each lbs/kg	
Nominal Size inches	Actual Out. Dia. inches	A	A1	B	C	D	E	F	G	H	J	K	Without Trim	With Trim
1½	1.900	9.08	16.35	25.25	11.50	18.75	9.75	12.50	7.00	3.04	9.09	7.63	16.7	43.0
40	48.3	230.6	415.29	641.4	292.1	476.3	247.7	317.5	177.8	77.2	230.9	193.8	7.6	19.5
2	2.375	9.08	13.37	25.25	11.50	18.75	9.75	12.50	7.00	3.04	9.09	7.63	16.7	43.0
50	60.3	230.6	339.60	641.4	292.1	476.3	247.7	317.5	177.8	77.2	230.9	193.8	7.6	19.5
2½	2.875	12.70	16.50	29.00	11.50	18.75	11.00	9.50	5.50	3.74	10.78	6.97	41.0	65.0
65	73.0	322.6	419.0	736.6	292.1	476.3	279.4	241.3	139.7	95.0	273.8	177.0	18.7	29.5
76.1 mm	3.000	12.70	16.63	29.00	11.50	18.75	11.00	9.50	5.50	3.74	10.78	6.97	41.0	65.0
	76.1	322.6	422.4	736.6	292.1	476.3	279.4	241.3	139.7	95.0	273.8	177.0	18.7	29.5
3	3.500	12.70	16.50	29.00	11.50	18.75	11.00	9.50	5.50	3.74	10.78	6.97	41.0	65.0
80	88.9	322.6	419.10	736.6	292.1	476.3	279.4	241.3	139.7	95.0	273.8	177.0	18.7	29.5
4	4.500	15.15	19.83	29.75	14.25	22.50	11.25	14.25	4.25	6.30	9.51	8.50	59.0	95.0
100	114.3	384.8	503.68	755.7	362.0	571.5	285.8	362.0	108.0	160.0	241.6	215.9	26.7	43.0
165.1 mm	6.500	16.13	22.17	30.00	14.50	26.50	11.75	14.75	4.50	6.30	9.50	8.89	80.0	116.0
	165.1	409.7	563.1	762.0	368.3	673.1	298.5	374.7	114.3	160.0	241.3	225.8	36.2	52.6
6	6.625	16.13	22.05	30.00	14.50	26.50	11.75	14.75	4.50	6.30	9.50	8.89	80.0	116.0
150	168.3	409.7	560.07	762.0	368.3	673.1	298.5	374.7	114.3	160.0	241.3	225.8	36.2	52.6
8	8.625	17.63	23.00	31.00	16.00	28.75	13.00	15.25	4.25	6.30	9.27	10.26	122.0	158.0
200	219.1	447.8	584.20	787.4	406.4	730.3	330.2	387.4	108.0	160.0	235.5	260.6	55.3	71.6

**NOTES:**

The "A" dimension coupling is not shown for clarity.

Components shown as dotted lines denote optional equipment

\* Measurements denoted with an asterisk take optional equipment into account

Optional drain connection kit is shown for reference and takeout dimensions.

The 4inch/114.3mm configuration is shown above

1½ – 2 inch/48.3 – 60.3 mm configurations contain ¾inch/19 mm drain valves.

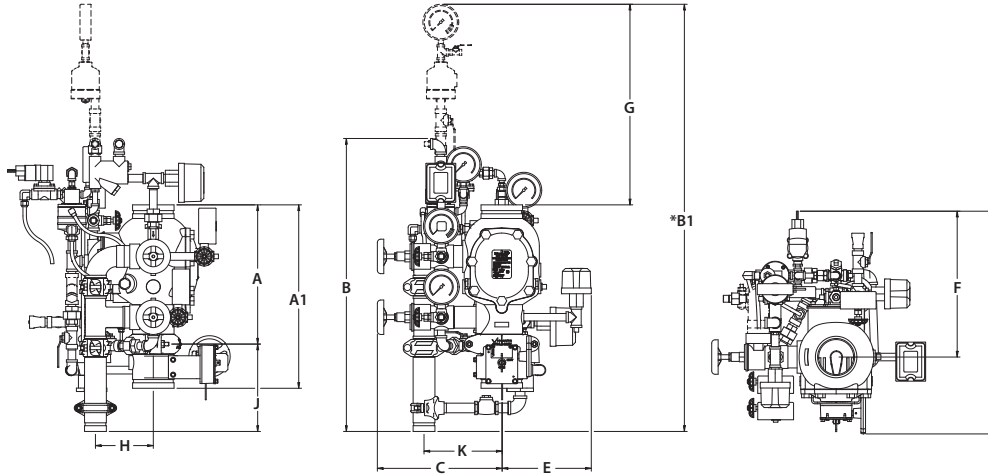
2½ – 3 inch/73.0 – 88.9 mm configurations contain 1¼inch/31 mm drain valves.

4 – 8 inch/114.3 – 219.1 mm configurations contain 2inch/50 mm drain valves.

# FireLock NXT™ Actuated Valve with LPCB Approved Preaction Trim

**SERIES 769**  
With Preaction Trim  
Grooved x Grooved

## SYSTEM TRIM DIMENSIONS



Size		Dimensions – inches/mm												Aprx. Weight Each lbs/kg	
Nominal Size inches mm	Actual Out. Dia. inches mm	A	A1	B	B1*	C	D	E	F	G*	H	J	K	Without Trim	With Trim
1½ 40	1.900 48.3	9.08 230.6	16.46 418.1	28.25 717.6	42.75 1085.9	13.50 342.9	22.00 558.8	9.25 235.0	15.25 387.4	24.75 628.7	3.04 77.2	9.09 230.9	7.63 193.8	16.7 7.6	43.0 19.5
2 50	2.375 60.3	9.08 230.6	16.46 418.1	28.25 717.6	42.75 1085.9	13.50 342.9	22.00 558.8	9.25 235.0	15.25 387.4	24.75 628.7	3.04 77.2	9.09 230.9	7.63 193.8	16.7 7.6	43.0 19.5
2½ 65	2.875 73.0	12.70 322.6	16.63 422.4	31.50 800.1	46.25 1174.8	12.50 317.5	21.75 552.5	11.00 279.4	14.75 374.7	22.75 577.9	3.74 95.0	10.78 273.8	6.97 177.0	41.0 18.7	65.0 29.5
76.1 mm	3.000 76.1	12.70 322.6	16.63 422.4	31.50 800.1	46.25 1174.8	12.50 317.5	21.75 552.5	11.00 279.4	14.75 374.7	22.75 577.9	3.74 95.0	10.78 273.8	6.97 177.0	41.0 18.7	65.0 29.5
3 80	3.500 88.9	12.70 322.6	16.63 422.4	31.50 800.1	46.25 1174.8	12.50 317.5	21.75 552.5	11.00 279.4	14.75 374.7	22.75 577.9	3.74 95.0	10.78 273.8	6.97 177.0	41.0 18.7	65.0 29.5
4 100	4.500 114.3	15.15 384.8	19.96 507.0	32.50 825.5	47.00 1193.8	14.25 362.0	24.75 628.7	10.25 260.4	16.50 419.1	22.50 571.5	6.30 160.0	9.51 241.6	8.50 215.9	59.0 26.7	95.0 43.0
165.1 mm	6.500 165.1	16.13 409.7	22.17 563.1	32.75 831.9	47.50 1206.5	14.50 368.3	28.75 730.3	11.75 298.5	17.25 438.2	21.75 552.5	6.30 160.0	9.50 241.3	8.89 225.8	80.0 36.2	116.0 52.6
6 150	6.625 168.3	16.13 409.7	22.17 563.1	32.75 831.9	47.50 1206.5	14.50 368.3	28.75 730.3	11.75 298.5	17.25 438.2	21.75 552.5	6.30 160.0	9.50 241.3	8.89 225.8	80.0 36.2	116.0 52.6
8 200	8.625 219.1	17.63 447.8	23.09 586.5	32.50 825.5	47.00 1193.8	16.00 406.4	31.50 800.1	13.00 330.2	18.00 457.2	20.00 508.0	6.30 160.0	9.27 235.5	10.26 260.6	122.0 55.3	158.0 71.6

The "A" dimension coupling is not shown for clarity.

Components shown as dotted lines denote optional equipment

\* Measurements denoted with an asterisk take optional equipment into account

The 4inch/114.3 mm configuration is shown above

1½ – 2 inch/48.3 – 60.3 mm configurations contain ¾inch/19 mm drain valves.

2½ – 3 inch/73.0 – 88.9 mm configurations contain 1¼inch/31 mm drain valves.

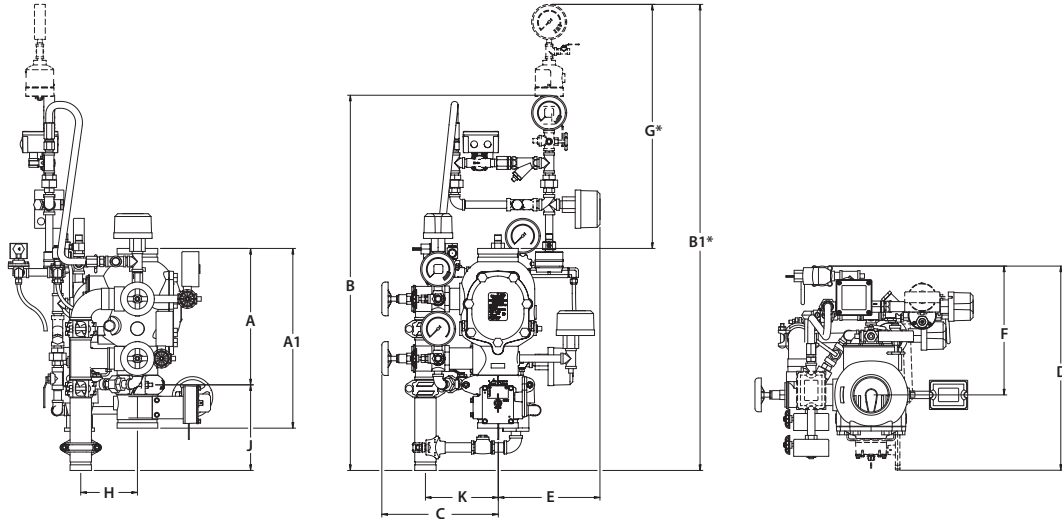
4 – 8 inch/114.3 – 219.1 mm configurations contain 2inch/50 mm drain valves.

# FireLock NXT™ Actuated Valve with LPCB Approved Preaction Trim

**SERIES 769**

With Preaction Trim  
Grooved x Grooved

**SYSTEM TRIM DIMENSIONS**



Size		Dimensions – inches/mm												Aprx. Weight Ea. lbs/kg	
Nominal Size inches	Actual Out. Dia. inches	A	A1	B	B1*	C	D	E	F	G*	H	J	K	Without Trim	With Trim
1½	1.900	9.08	16.46	38.00	48.00	11.00	20.50	9.50	13.75	29.75	3.04	8.99	7.18	16.7	43.0
40	48.3	230.6	418.1	965.2	1219.2	279.4	520.7	241.3	349.3	755.7	77.2	228.3	182.4	7.6	19.5
2	2.375	9.08	16.46	38.00	48.00	11.00	20.50	9.50	13.75	29.75	3.04	8.99	7.18	17.0	43.0
50	60.3	230.6	418.1	965.2	1219.2	279.4	520.7	241.3	349.3	755.7	77.2	228.3	182.4	7.7	19.5
2½	2.875	12.70	16.63	41.50	51.50	11.50	22.50	11.00	13.25	28.00	3.95	10.78	6.97	41.0	65.0
65	73.0	322.6	422.4	1054.1	1308.1	292.1	571.5	279.4	336.6	711.2	100.3	273.8	177.0	18.7	29.5
76.1 mm	3.000	12.70	16.63	41.50	51.50	11.50	22.50	11.00	13.25	28.00	3.95	10.78	6.97	41.0	65.0
	76.1	322.6	422.4	1054.1	1308.1	292.1	571.5	279.4	336.6	711.2	100.3	273.8	177.0	18.7	29.5
3	3.500	12.70	16.63	41.50	51.50	11.50	22.50	11.00	13.25	28.00	3.95	10.78	6.97	41.0	65.0
80	88.9	322.6	422.4	1054.1	1308.1	292.1	571.5	279.4	336.6	711.2	100.3	273.8	177.0	18.7	29.5
4	4.500	15.15	19.96	42.25	52.50	13.50	23.25	11.25	15.00	27.75	6.30	9.51	8.10	59.0	95.0
100	114.3	384.8	507.0	1073.2	1333.5	342.9	590.6	285.8	381.0	704.9	160.0	241.6	205.7	26.7	43.0
165.1 mm	6.500	16.13	22.17	42.50	52.75	14.00	27.25	11.75	15.75	27.00	6.30	9.49	8.43	80.0	116.0
	165.1	409.7	563.1	1079.5	1339.9	355.6	692.2	298.5	400.1	685.8	160.0	241.0	214.1	36.2	52.6
6	6.625	16.13	22.17	42.50	52.75	14.00	27.25	11.75	15.75	27.00	6.30	9.49	8.43	80.0	116.0
150	168.3	409.7	563.1	1079.5	1339.9	355.6	692.2	298.5	400.1	685.8	160.0	241.0	214.1	36.2	52.6
8	8.625	17.63	23.09	42.25	52.25	15.25	29.75	12.75	16.50	25.50	6.30	9.27	9.79	122.0	158.0
200	219.1	447.8	586.5	1073.2	1327.2	387.4	755.7	323.9	419.1	647.7	160.0	235.5	248.7	55.3	71.6

The "A" dimension coupling is not shown for clarity.

Components shown as dotted lines denote optional equipment

\* Measurements denoted with an asterisk take optional equipment into account

The 4inch/114.3mm configuration is shown above

1½ – 2 inch/48.3 – 60.3 mm configurations contain ¾inch/19 mm drain valves.

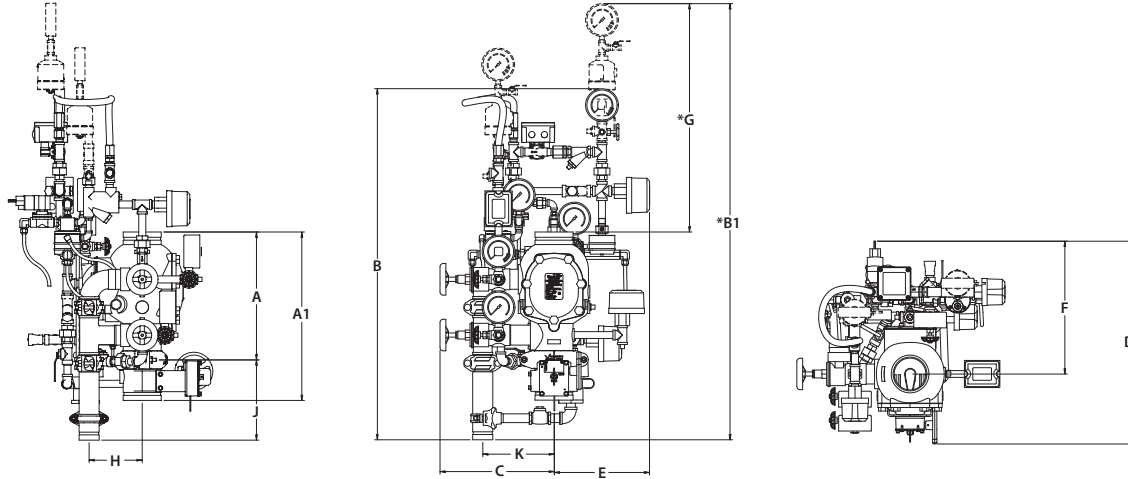
2½ – 3 inch/73.0 – 88.9 mm configurations contain 1¼inch/31 mm drain valves.

4 – 8 inch/114.3 – 219.1 mm configurations contain 2inch/50 mm drain valves.

# FireLock NXT™ Actuated Valve with LPCB Approved Preaction Trim

**SERIES 769**  
With Preaction Trim  
Grooved x Grooved

## SYSTEM TRIM DIMENSIONS



Size		Dimensions – inches/mm												Aprx. Weight Ea. lbs/kg	
Nominal Size inches	Actual Out. Dia. inches	A	A1	B	B1*	C	D	E	F	G*	H	J	K	Without Trim	With Trim
1½	1.900	9.00	16.43	38.00	48.00	13.50	22.00	9.50	15.25	29.75	3.04	8.99	7.63	16.7	43.0
40	48.3	228.60	417.32	965.2	1219.2	342.9	558.8	241.3	387.4	755.7	77.2	228.3	193.8	7.6	19.5
2	2.375	9.00	16.43	38.00	48.00	13.50	22.00	9.50	15.25	29.75	3.04	8.99	7.63	17.0	43.0
50	60.3	228.60	417.32	965.2	1219.2	342.9	558.8	241.3	387.4	755.7	77.2	228.3	193.8	7.7	19.5
2½	2.875	12.61	16.50	41.50	51.50	12.50	21.75	11.00	14.75	28.00	3.95	10.78	6.97	41.0	65.0
65	73.0	320.29	419.10	1054.1	1308.1	317.5	552.5	279.4	374.7	711.2	100.3	273.8	177.0	18.7	29.5
76.1 mm	3.000	12.61	16.50	41.50	51.50	12.50	21.75	11.00	14.75	28.00	3.95	10.78	6.97	41.0	65.0
	76.1	320.29	419.10	1054.1	1308.1	317.5	552.5	279.4	374.7	711.2	100.3	273.8	177.0	18.7	29.5
3	3.500	12.61	16.50	41.50	51.50	12.50	21.75	11.00	14.75	28.00	3.95	10.78	6.97	41.0	65.0
80	88.9	320.29	419.10	1054.1	1308.1	317.5	552.5	279.4	374.7	711.2	100.3	273.8	177.0	18.7	29.5
4	4.500	15.03	19.78	42.25	52.50	14.25	24.75	11.25	16.50	27.75	6.30	9.51	8.50	59.0	95.0
100	114.3	381.76	502.41	1073.2	1333.5	362.0	628.7	285.8	419.1	704.9	160.0	241.6	215.9	26.7	43.0
165.1 mm	6.500	16.00	22.00	42.50	52.75	14.50	28.75	11.75	17.25	27.00	6.30	6.04	8.89	80.0	116.0
	165.1	406.40	558.80	1079.5	1339.9	368.3	730.3	298.5	438.2	685.8	160.0	153.4	225.8	36.2	52.6
6	6.625	16.00	22.00	42.50	52.75	14.50	28.75	11.75	17.25	27.00	6.30	6.04	8.89	80.0	116.0
150	168.3	406.40	558.80	1079.5	1339.9	368.3	730.3	298.5	438.2	685.8	160.0	153.4	225.8	36.2	52.6
8	8.625	17.50	22.94	42.25	52.50	16.00	31.25	13.00	18.00	25.50	6.30	9.27	10.26	122.0	158.0
200	219.1	444.50	582.67	1073.2	1333.5	406.4	793.8	330.2	457.2	647.7	160.0	235.5	260.6	55.3	71.6

The "A" dimension coupling is not shown for clarity.  
 Components shown as dotted lines denote optional equipment  
 \* Measurements denoted with an asterisk take optional equipment into account  
 The 4inch/114.3mm configuration is shown above  
 1½ – 2 inch/48.3 – 60.3 mm configurations contain ¾inch/19 mm drain valves.  
 2½ – 3 inch/73.0 – 88.9 mm configurations contain 1¼ inch/31 mm drain valves.  
 4 – 8 inch/114.3 – 219.1 mm configurations contain 2inch/50 mm drain valves.

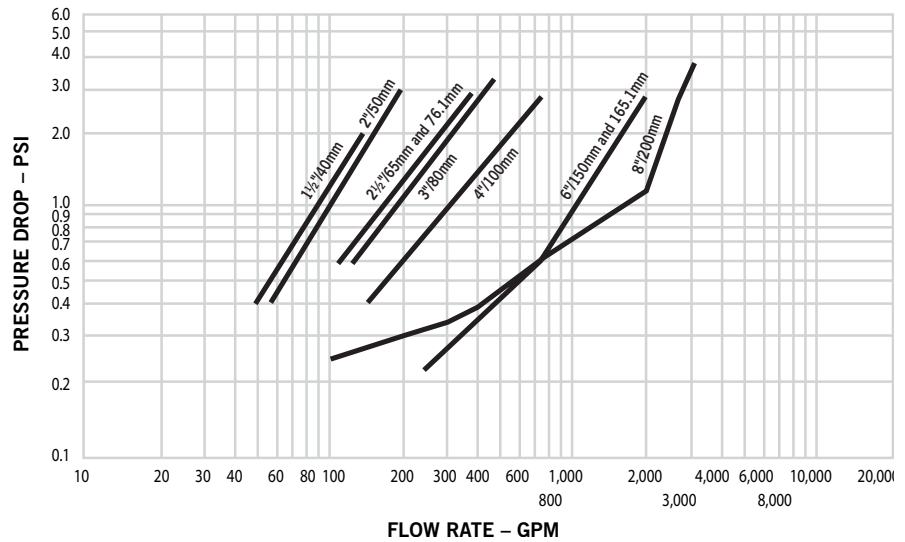
# FireLock NXT™ Actuated Valve with LPCB Approved Preaction Trim

**SERIES 769**  
With Preaction Trim  
Grooved x Grooved

**PERFORMANCE**

**Hydraulic Friction Loss**

The chart below expresses the flow of water at 65°F/18°C through a full open valve.



**Frictional Resistance**

The chart below expresses the frictional resistance of Victaulic Series 769 FireLock NXT Preaction Valve in equivalent feet of straight pipe.

Size		Equivalent Length of Pipe
Nominal Size Inches/ mm	Actual Outside Dia. Inches/ mm	Feet meters
1 1/2 40	1.900	3.00
	48.3	0.914
2 50	2.375	9.00
	60.3	2.743
2 1/2 65	2.875	8.00
	73.0	2.438
76.1 mm	3.000	8.00
	76.1	2.439
3 80	3.500	17.00
	88.9	5.182
4 100	4.500	21.00
	114.3	6.401
165.1 mm	6.500	22.00
	165.1	6.706
6 150	6.625	22.00
	168.3	6.706
8 200	8.625	50.00
	219.1	15.240



# FireLock NXT™ Actuated Valve with LPCB Approved Preaction Trim

**SERIES 769**  
With Preaction Trim  
Grooved x Grooved

**C<sub>v</sub> VALUES**

C<sub>v</sub> values for flow of water at +60°F/+16°C through a fully open valve are shown in the table below.

**Formulas for C<sub>v</sub> values:**

$$\Delta P = \frac{Q^2}{C_v^2}$$

$$Q = C_v \times \sqrt{\Delta P}$$

**Where:**

Q = Flow (GPM)

ΔP = Pressure Drop (psi)

C<sub>v</sub> = Flow Coefficient

Size		C <sub>v</sub> /K <sub>v</sub> (Fully Open Valve)
Nominal Size Inches/ mm	Actual Outside Dia. Inches/ mm	
1½ 40	1.900 48.3	60 52.0
2 50	2.375 60.3	110 95.0
2½ 65	2.875 73.0	180 156.0
76.1 mm	3.000 76.1	180 156.0
3 80	3.500 88.9	200 173.0
4 100	4.500 114.3	350 302.8
165.1 mm	6.500 165.1	1000 865.0
6 150	6.625 168.3	1000 865.0
8 200	8.625 219.1	1500 1499.1

**OPERATION**

The Victaulic Preaction System utilizes the Series 769 Preaction Valve to control the entry of the water supply into the Preaction System piping and sprinklers. The Series 769 Preaction Valve is constructed with a clapper having a replaceable rubber face. The clapper makes contact with the valve seat ring which has access holes to the intermediate chamber of the valve. The clapper is contacted by the latch which is contacted by the diaphragm. In the set position, water supply pressure from upstream of the water supply control valve is maintained in the diaphragm chamber which holds the clapper in the closed/set position. The water is maintained in the diaphragm by one of the system release mechanisms. Upon the detection of an appropriate actuating event of the Preaction System (see system description on pages 2-3) the water supply pressure in the diaphragm chamber is released. This release allows the latch to move to its open position, permitting the clapper to pivot freely, thus allowing water into the system. Water will flow from all open sprinklers in the piping. Also, water enters the intermediate chamber of the valve through the holes in the seat ring. The water flows from the intermediate chamber to the alarm line thus activating the system alarms. These alarms will continue to sound until the flow of water is stopped. When the flow of water is stopped the spring assisted valve clapper returns to the closed position and the valve acts as an alarm check valve until the system is put back into service as a Preaction System.

**Manual Operation**

Any time the manual release handle is pulled water will be released from the diaphragm chamber and the valve will actuate, allowing water into the Preaction System. Water motor alarms and alarm pressure switches will activate.

# FireLock NXT™ Actuated Valve with LPCB Approved Preaction Trim

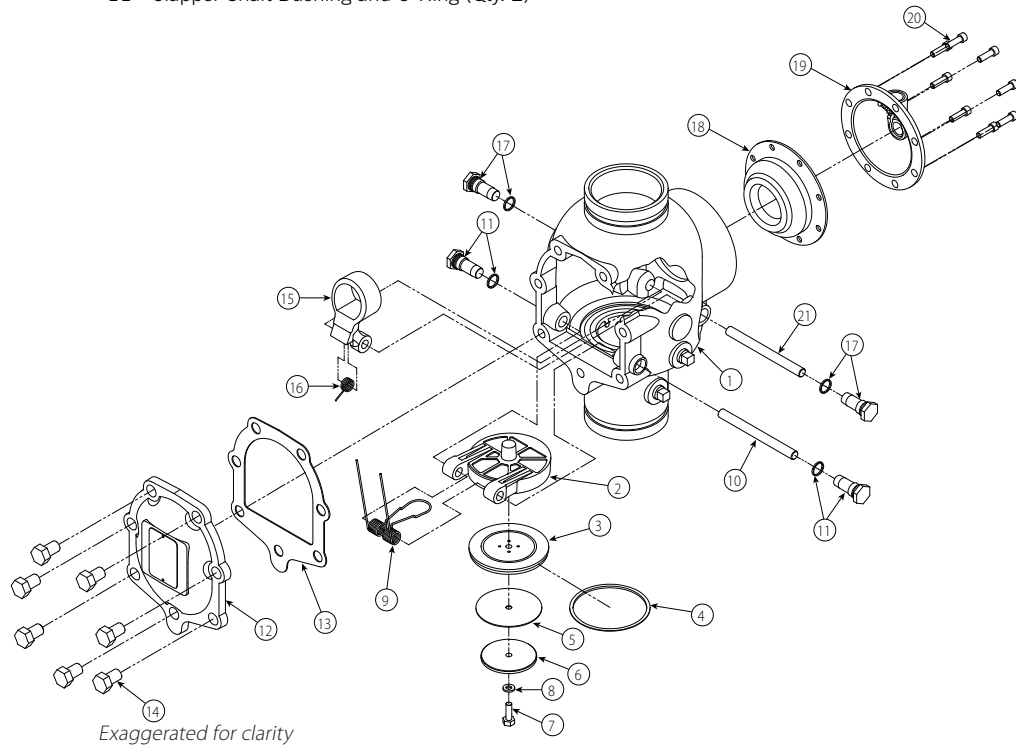
**SERIES 769**  
With Preaction Trim  
Grooved x Grooved

**MATERIAL SPECIFICATIONS**

- Body:** Ductile iron conforming to ASTM A-536, grade 65-45-12.
- Clapper:** Aluminum bronze UNS-C95500
- Latch:** Aluminum bronze UNS-C95500
- Clapper Seal:** Peroxide cured EPDM, ASTM D2000
- Bushing and Seat O-rings:** Nitrile
- Springs:** Stainless steel (300 Series)
- Shafts:** Stainless 17-4
- Diaphragm:** Peroxide cured EPDM with fabric reinforcement

**Bill of Materials**

- |   |   |
|---|---|
| <ul style="list-style-type: none"> <li>1 Valve Body</li> <li>2 Clapper</li> <li>3 Clapper Seal</li> <li>4 Seal Ring</li> <li>5 Seal Washer</li> <li>6 Seal Retaining Ring</li> <li>7 Seal Assembly Bolt</li> <li>8 Bolt Seal</li> <li>9 Clapper Spring</li> <li>10 Clapper Shaft</li> <li>11 Clapper Shaft Bushing and O-Ring (Qty. 2)</li> </ul> | <ul style="list-style-type: none"> <li>12 Cover Plate</li> <li>13 Cover Plate Gasket</li> <li>14 Cover Plate Bolts*</li> <li>15 Latch</li> <li>16 Latch Spring</li> <li>17 Latch Shaft Bushing and O-Ring (Qty. 2)</li> <li>18 Diaphragm</li> <li>19 Diaphragm Cover</li> <li>20 Diaphragm Cover Cap Screws (Qty. 8)</li> <li>21 Latch Shaft</li> </ul> |
|---|---|



\* **NOTE:** The 1½-inch/48.3-mm and 2-inch/60.3-mm valve sizes contain washers under the heads of the cover plate bolts.

# FireLock NXT™

## Actuated Valve with LPCB Approved Preaction Trim

### SERIES 769

With Preaction Trim  
Grooved x Grooved

#### TRIM PACKAGES

#### Trim Packages Options:

- 1 Electric Activation with Redundant Solenoid Valve
- 2 Electric Activation with Redundant Solenoid Valve and AutoConvert Dry Interlock Trim
- 3 Double-Interlocked Pneumatic/Electric Activation with Redundant Solenoid Valve
- 4 Double-Interlocked Pneumatic/Electric Activation with Redundant Solenoid valve and AutoConvert Dry Trim

Trim packages include all required galvanized pipe and fittings. For trim package details and optional accessories, see pages 17-20

#### Actuators:

- **Series 776 Low-Pressure Actuator** – The Series 776 Low-Pressure Actuator is pneumatically actuated and requires only 13 psi/90 kPa minimum air pressure, regardless of the system supply pressure. This actuator allows the system to operate with a low air or gas pressure of 7 psi/48 kPa. Request submittal 30.46.
- **Series 767 Electric/Pneumatic Actuator** – The Series 767 Electric/Pneumatic Actuator provides a single trip point for the pneumatic event and an integral electric actuator. This actuator requires only 13 psi/90 kPa minimum air pressure, regardless of the system supply pressure. This actuator allows the system to operate with a low air or gas pressure of 7 psi/48 kPa. Request submittal 30.62.
- **Series 753-E Solenoid Valve** – The Series 753-E Solenoid Valve is designed for use with systems that require electrical activation. Request submittal 30.32.
  - Redundant solenoid made by alternate manufacturer required by LPCB Approval

#### Optional accessories:

- **Series 746-LPA Dry Accelerator** – The Series 746-LPA Dry Accelerator can be used on pneumatic release systems to improve response time. Request submittal 30.64.
- **Series 760 Water Motor Alarm** – The Series 760 Water Motor Alarm is a mechanical device that sounds when a sustained flow of water occurs (such as with an open sprinkler). Request submittal 30.32.
- **Series 75B Supplemental Alarm Device** – The Series 75B Supplemental Alarm Device is designed to provide a continuous alarm for systems equipped with a mechanical device. Request submittal 30.33.
- **Series 75D Water Column Kit** – The Series 75D Water Column Kit is designed to minimize residual water in the riser from collecting above the clapper. Request submittal 30.34.
- **Air Compressor**
- **Air Maintenance Trim Assembly**
- **Fire Alarm Control Panel (FACP)**

# FireLock NXT™ Actuated Valve with LPCB Approved Preaction Trim

**SERIES 769**

With Preaction Trim  
Grooved x Grooved

**AIR SUPPLY REQUIREMENTS**

The required air pressure for Series 769 FireLock NXT Preaction Valves is 13 psi/90 kPa minimum, regardless of the system supply pressure. Air pressures should be kept below 18 psi/124 kPa, unless a Series 746-LPA Dry Accelerator is installed. Systems with air pressures higher than 18 psi/124 kPa may require the addition of a Series 746-LPA Dry Accelerator.

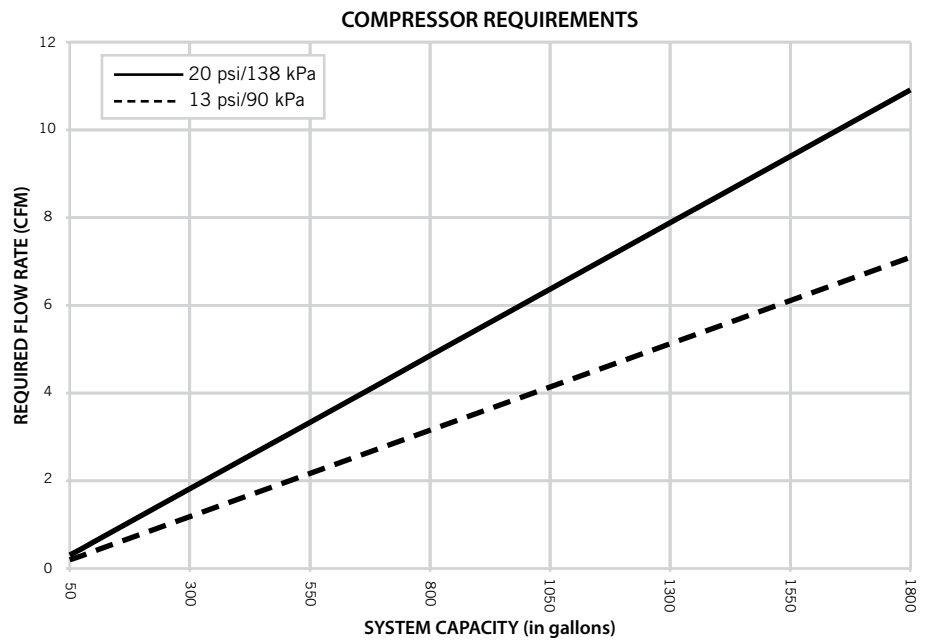
If multiple Series 769 FireLock NXT Preaction Valves are installed with a common air supply, isolate the systems with a spring-loaded, soft-seated ball check valve to ensure air integrity for each system. Good practice is to include a ball valve for isolation and service of each individual system.

Set the air pressure to the required system air pressure. Air pressure differing from the required system air pressure could reduce system operation response time.

The engineer/system designer is responsible for sizing the compressor so that the entire system is charged to the required air pressure within 30 minutes. DO NOT oversize the compressor to provide more airflow. An oversized compressor will slow down or possibly prevent valve operation.

If the compressor fills the system too fast, it may be necessary to restrict the air supply. Restricting the air supply will ensure that air being exhausted from an open sprinkler or manual release valve is not replaced by the air supply system as fast as it is being exhausted.

**COMPRESSOR SIZING**



## FireLock NXT™ Actuated Valve with LPCB Approved Preaction Trim

### SERIES 769

With Preaction Trim  
Grooved x Grooved

#### BASE OR RISER-MOUNTED COMPRESSORS

For base or riser-mounted compressors, the recommended air pressure of 13psi/90kPa is the “on” or “low” pressure setting for the compressor. The “off” or “high” pressure setting should be 18psi/124kPa.

When a base or riser-mounted air compressor supplies air to a Series 769 FireLock NXT Preaction Valve, do not install the Victaulic Series 757 Regulated Air Maintenance Trim Assembly (AMTA). In this case, the airline of the compressor connects to the valve trim at the air manifold (refer to the applicable trim drawing). If the compressor is not equipped with a pressure switch, the Series 757P Air Maintenance Trim Assembly with Pressure Switch should be installed. For information on the Series 757 Regulated Air Maintenance Trim Assembly, see publication 30.35. For information on the Series 757P Air Maintenance Trim Assembly, see publication 30.36.

NOTE: The Series 757P AMTA must NOT be used in any system installed with a Series 746-LPA Dry Accelerator, unless a tank and an air regulator are added.

#### SHOP AIR OR TANK-MOUNTED AIR COMPRESSORS

In the event a compressor becomes inoperative, a properly sized tank-mounted air compressor provides the the greatest protection for systems.

When shop air or a tank-mounted air compressor is used, the Series 757 Regulated AMTA must be installed. The Series 757 Regulated AMTA provides proper air regulation from the air reservoir to the sprinkler system.

For tank-mounted air compressors, the recommended air pressure of 13psi/90kPa should be used as the set point for the air regulator. The “on” pressure of the compressor should be at least 5psi/34kPa above the set point of the air regulator.

# FireLock NXT™ Actuated Valve with LPCB Approved Preaction Trim

**SERIES 769**  
With Preaction Trim  
Grooved x Grooved

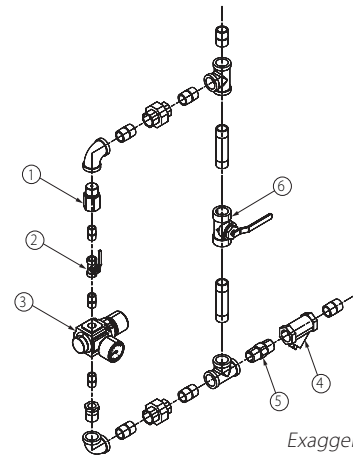
**SERIES 757 REGULATED AIR  
MAINTENANCE TRIM ASSEMBLY**

### NOTICE

- Victaulic recommends a maximum of two Series 769 FireLock NXT Preaction Valves per Series 757 Regulated AMTA

**Bill of Materials**

- 1 1/8"/3.2 mm Restrictor
- 2 Slow Fill Ball Valve (Normally Open)
- 3 Air Regulator
- 4 Strainer (100 Mesh)
- 5 Spring-Loaded, Soft-Seated Ball Check Valve
- 6 Fast Fill Ball Valve (Normally Closed)



Exaggerated for clarity

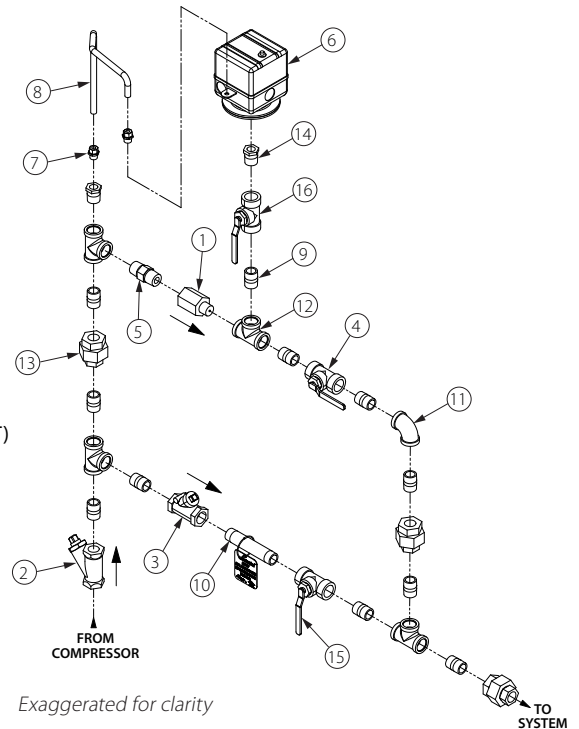
**SERIES 757P AIR MAINTENANCE TRIM  
ASSEMBLY WITH PRESSURE SWITCH**

### NOTICE

- Victaulic recommends a maximum of two Series 769 FireLo ck NXT Preaction Valves per Series 757P AMTA with Pressure Switch.

**Bill of Materials**

Item	Qty.	Description
1	1	Restrictor (1/2-inch NPT)
2	1	Strainer (1/2-inch NPT)
3	1	Swing Check (1/2-inch NPT)
4	1	Slow-Fill Ball Valve (Normally Open)
5	1	Spring-Loaded, Soft-Seated Check Valve
6	1	Pressure Switch
7	2	Compression Fitting, Straight (1/4-inch NPT x 1/4-inch Tube)
8	1	Copper Tubing (1/4-inch OD)
9	11	Close Nipple (1/2-inch NPT x 1.13)
10	1	Nipple (1/2-inch NPT x 4.00)
11	1	90° Female Elbow (1/2-inch NPT)
12	4	Female Tee (1/2-inch NPT)
13	3	Union (1/2-inch NPT)
14	2	Reducing Bushing (1/2-inch NPT x 1/4-inch NPT)
15	1	Fast-Fill Ball Valve (Normally Closed)
16	1	Pressure Switch Isolation Ball Valve (Normally Open - Lockable)



Exaggerated for clarity

## FireLock NXT™ Actuated Valve with LPCB Approved Preaction Trim

### SERIES 769

With Preaction Trim  
Grooved x Grooved

#### COMPRESSOR REQUIREMENTS AND SETTINGS FOR SERIES 769 FIRELOCK NXT PREACTION VALVES INSTALLED WITH SERIES 746-LPA DRY ACCELERATORS

A tank-mounted air compressor with a Series 757 Regulated AMTA must be used to supply air to a Series 769 FireLock NXT Preaction Valve installed with a Series 746-LPA Dry Accelerator. In the event a compressor becomes inoperative, a properly sized tank-mounted air compressor provides the greatest protection, since air can be supplied continuously to the sprinkler system for an extended time period. In addition, a properly-sized tank-mounted air compressor prevents clogging of the dry accelerator's orifice.

Set the air regulator of the Series 757 Regulated AMTA to a minimum of 0.9Bar/13psi. The air regulator of the Series 757 Regulated AMTA is a relief-type design. Any pressure in the system that is above the set point of the air regulator will be released. Therefore, charging the air regulator above the set point could cause premature operation of a valve installed with a Series 746-LPA Dry Accelerator.

#### SETTINGS FOR AIR SUPERVISORY PRESSURE SWITCHES AND ALARM PRESSURE SWITCHES

1. Air supervisory pressure switches are required for preaction systems and must be set according to the following notes. **NOTE:** Switches for Vic-Quick Risers are pre-set at the factory.
  - a. Wire the air supervisory pressure switches to activate a low-pressure alarm signal. **NOTE:** In addition, the local authority having jurisdiction may require a high-pressure alarm. Contact the local authority having jurisdiction for this requirement.
  - b. Set the air supervisory pressure switches to activate at 0.1 – 0.3 Bar/2 – 4 psi below the minimum air pressure required (but not lower than 0.7 Bar/10 psi).
  - c. Wire the alarm pressure switch to activate a water flow alarm.
  - d. Set the alarm pressure switch to activate on a pressure rise of 0.3 – 0.6 Bar/4 – 8 psi above the pressure required.
  - e. System also includes a low water alarm pressure switch that is factory set and trips on falling pressure of less than 124 kPa/18 psi. Trip level can be field adjusted higher if necessary.

#### REMOTE SYSTEM TEST VALVE REQUIREMENTS

The remote system test valve (inspector's test connection) should contain a normally closed valve, which can be opened to simulate the operation of a sprinkler.

The remote system test valve (inspector's test connection) should be located at the most hydraulically demanding location in the release system. **NOTE:** Multiple restrictions on the remote system test valve (inspector's test connection) may slow the air decay rate and cause the system to respond slower than required.

The remote system test valve (inspector's test connection) should terminate with an orifice equal to the smallest orifice in the releasing system.

The remote system test valve (inspector's test connection) is used to ensure that water reaches the most remote part of the system within the required time.

# FireLock NXT™ Actuated Valve with LPCB Approved Praction Trim

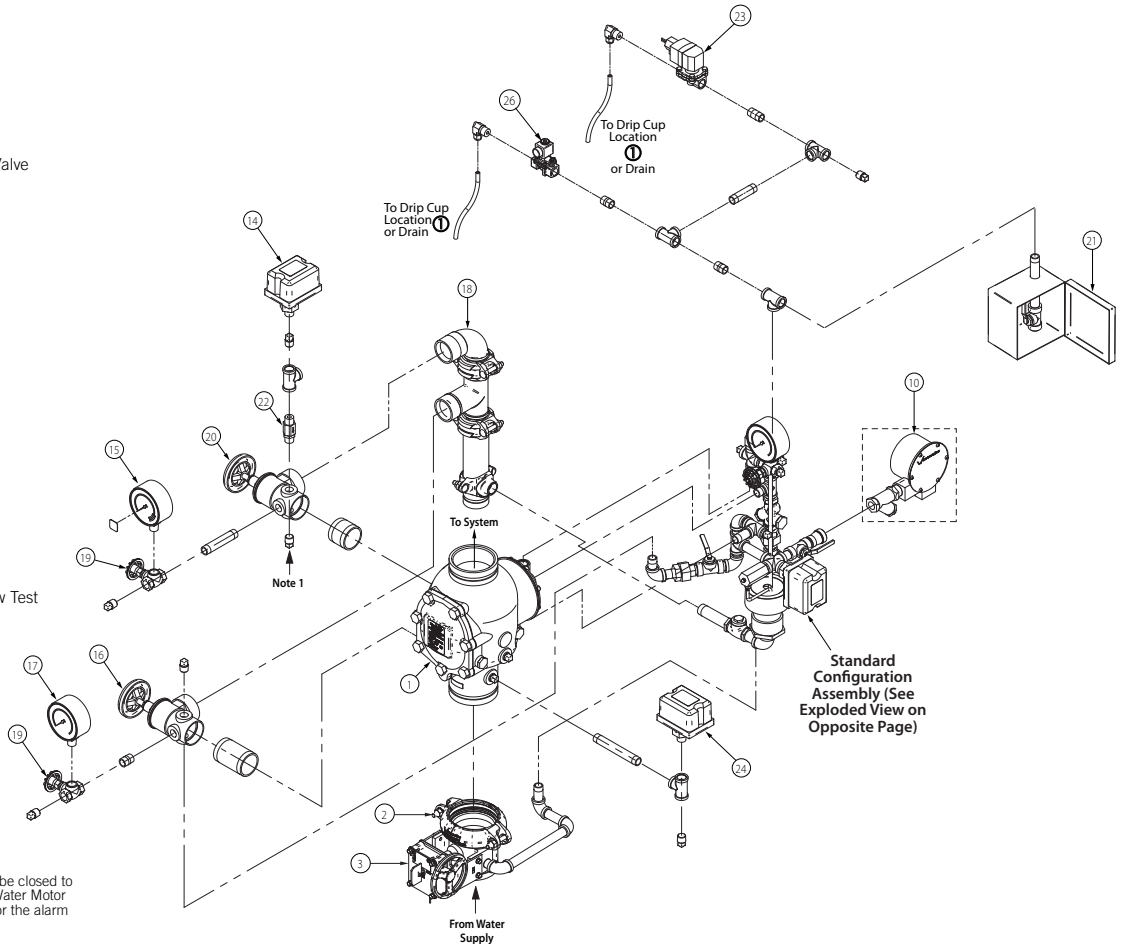
**SERIES 769**

With Praction Trim  
Grooved x Grooved

**Bill of Materials**

- 1 Series 769 FireLock NXT Praction Valve
- 2 FireLock Rigid Coupling
- 3 Water Supply Main Control Valve
- 4 Drain Swing Check Valve
- 5 Drip Cup with Cap
- 6 Alarm Pressure Switch
- 7 Series 729 Drip Check Valve
- 8 Diaphragm-Charge-Line Ball Valve (Normally Open - Lockable)
- 9 3-in-1 Strainer/Check/Restrictor Assembly
- 10 Series 760 Water Motor Alarm (Optional/Sold Separately)
- 11 Alarm Test Ball Valve (Normally Closed - Lockable)
- 12 Diaphragm-Charge-Line Pressure Gauge (0-25 Bar/0-350 psi)
- 13 Series 749 Auto Drain
- 14 Air Supervisory Pressure Switch
- 15 System Pressure Gauge (0-16Bar with Mark Pointers)
- 16 Water Supply Main Drain Valve - Flow Test
- 17 Water Supply Pressure Gauge (0-25 Bar/0-350 psi)
- 18 Drain Connection Kit
- 19 Gauge Valve
- 20 System Main Drain Valve
- 21 Series 755 Manual Pull Station
- 22 Series 748 Ball Check Valve
- 23 Solenoid Valve
- 24 Low Water Pressure Switch
- 25 Water Motor Alarm Shutoff Valve (Normally Open - Lockable)\*
- 26 Series 753-E Solenoid Valve

\* Item 33, water motor alarm shutoff valve, can be closed to prevent water from flowing into the Series 760 Water Motor Alarm during conditions that are not favorable for the alarm to sound (i.e. during a trip test).



Exaggerated for clarity

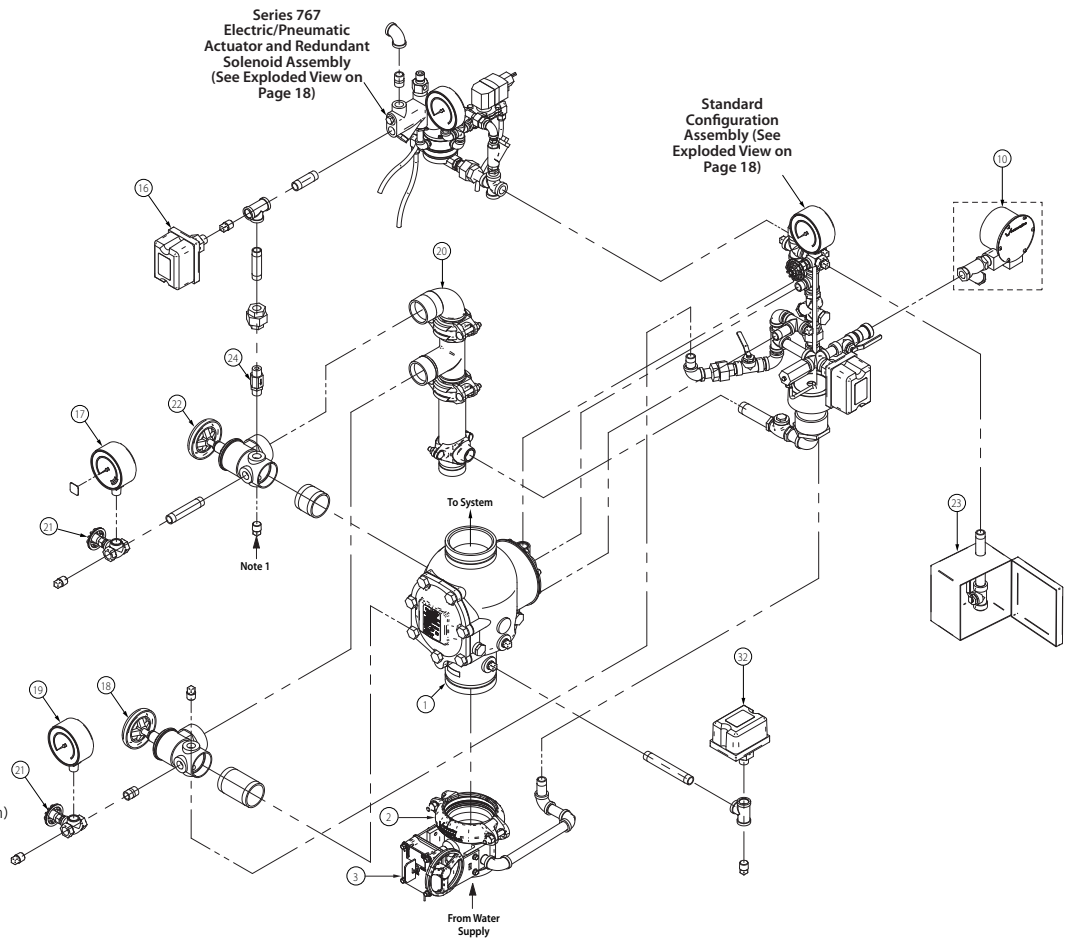


# FireLock NXT™ Actuated Valve with LPCB Approved Preaction Trim

**SERIES 769**  
With Preaction Trim  
Grooved x Grooved

**Bill of Materials**

- 1 Series 769 FireLock NXT Preaction Valve
- 2 FireLock Rigid Coupling
- 3 Water Supply Main Control Valve
- 4 Drain Swing Check Valve
- 5 Drip Cup with Cap
- 6 Alarm Pressure Switch
- 7 Series 729 Drip Check Valve
- 8 Diaphragm-Charge-Line Ball Valve (Normally Open - Lockable)
- 9 3-in-1 Strainer/Check/Restrictor Assembly
- 10 Series 760 Water Motor Alarm (Optional/Sold Separately)
- 11 Alarm Test Ball Valve (Normally Closed - Lockable)
- 12 Diaphragm-Charge-Line Pressure Gauge (0-25 Bar/0-350 psi)
- 13 Series 749 Auto Drain
- 14 Series 767 Electric/Pneumatic Actuator
- 15 Air Manifold
- 16 Air Supervisory Pressure Switch
- 17 System Pressure Gauge (0-16 Bar with Mark Pointers)
- 18 Water Supply Main Drain Valve - Flow Test
- 19 Water Supply Pressure Gauge (0-25 Bar/0-350 psi)
- 20 Drain Connection Kit
- 21 Gauge Valve
- 22 System Main Drain Valve
- 23 Series 755 Manual Pull Station
- 24 Series 748 Ball Check Valve
- 25 Series 746-LPA Dry Accelerator (Optional/Sold Separately)
- 26 Upper Chamber Strainer (100 Mesh) for Series 767 Electric/Pneumatic Actuator
- 27 Upper Chamber Pressure Gauge for Series 767 Electric/Pneumatic Actuator
- 28 Auto Vent for Series 767 Electric/Pneumatic Actuator
- 29 Upper Chamber Inlet Restrictor (0.8-mm/.032-inch) for Series 767 Electric/Pneumatic Actuator
- 30 Upper Chamber Check Valve (6.4-mm/¼-inch) for Series 767 Electric/Pneumatic Actuator
- 31 Solenoid Valve
- 32 Low Water Pressure Switch
- 33 Water Motor Alarm Shutoff Valve (Normally Open - Lockable)\*



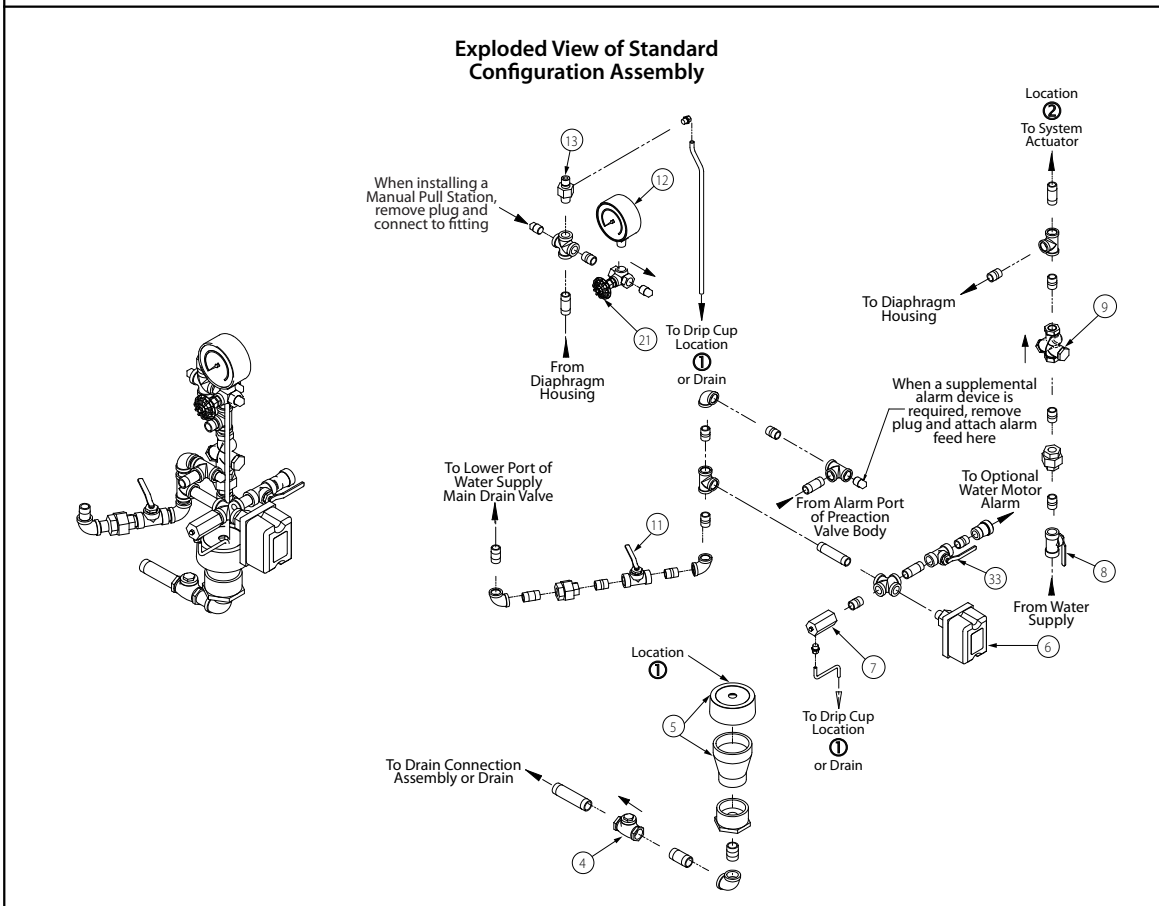
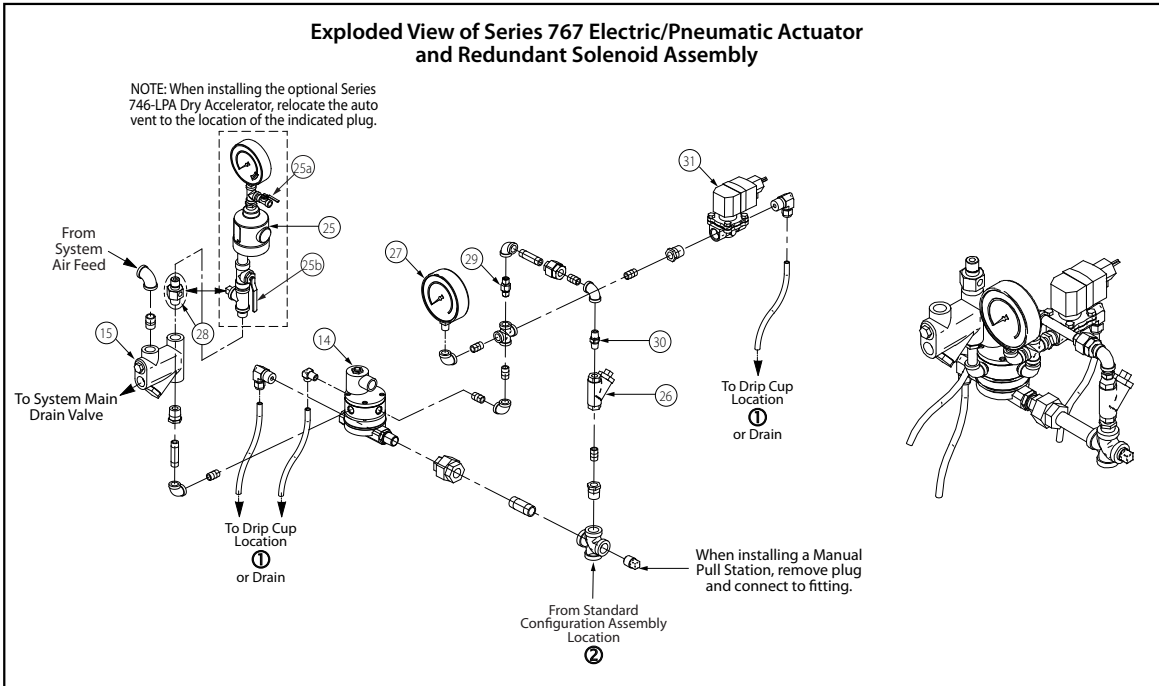
\* Item 33, water motor alarm shutoff valve, can be closed to prevent water from flowing into the Series 760 Water Motor Alarm during conditions that are not favorable for the alarm to sound (i.e. during a trip test). See Standard Configuration Assembly detail on page 18.

**Note 1:** Connection point for the Series 75D Water Column Device Kit

*Exaggerated for clarity*

# FireLock NXT™ Actuated Valve with LPCB Approved Preaction Trim

**SERIES 769**  
With Preaction Trim  
Grooved x Grooved

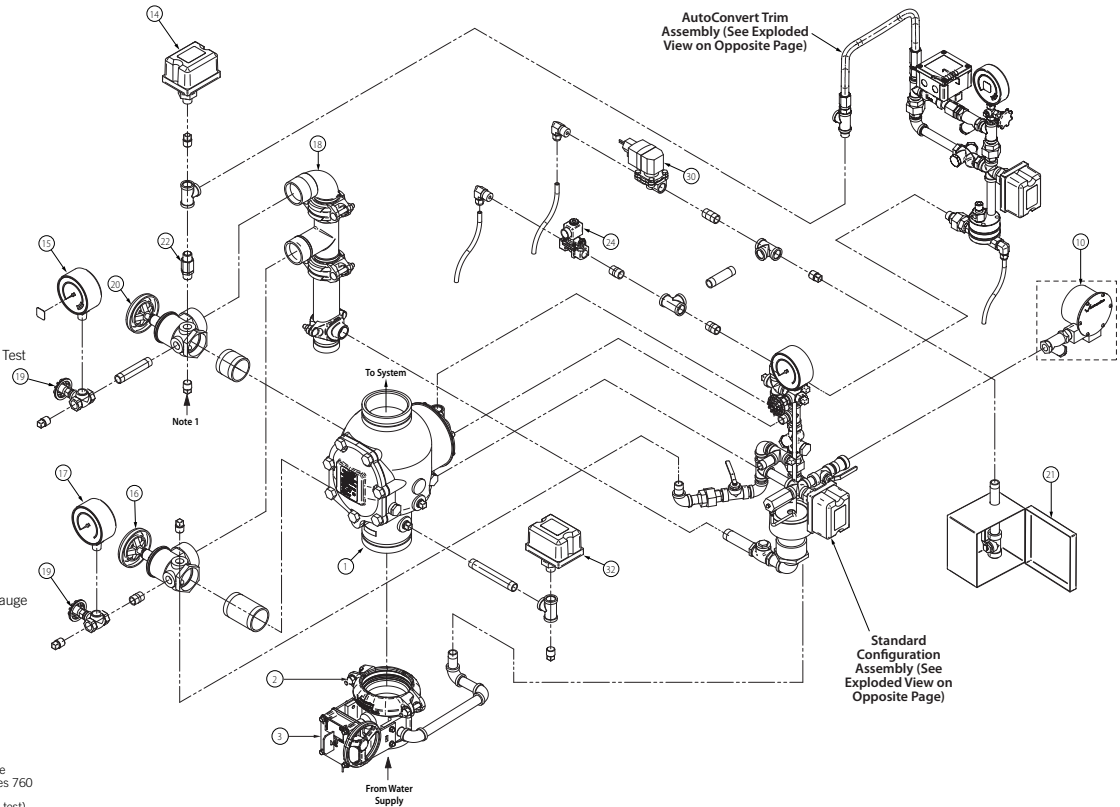


# FireLock NXT™ Actuated Valve with LPCB Approved Preaction Trim

**SERIES 769**  
With Preaction Trim  
Grooved x Grooved

**Bill of Materials**

- 1 Series 769 FireLock NXT Preaction Valve
- 2 FireLock Rigid Coupling
- 3 Water Supply Main Control Valve
- 4 Drain Swing Check Valve
- 5 Drip Cup with Cap
- 6 Alarm Pressure Switch
- 7 Series 729 Drip Check Valve
- 8 Diaphragm-Charge-Line Ball Valve (Normally Open - Lockable)
- 9 3-in-1 Strainer/Check/Restrictor Assembly
- 10 Series 760 Water Motor Alarm (Optional/Sold Separately)
- 11 Alarm Test Ball Valve (Normally Closed - Lockable)
- 12 Diaphragm-Charge-Line Pressure Gauge (0-25 Bar/0-350 psi)
- 13 Series 749 Auto Drain
- 14 Air Supervisory Pressure Switch
- 15 System Pressure Gauge (0-16 Bar with Mark Pointers)
- 16 Water Supply Main Drain Valve - Flow Test
- 17 Water Supply Pressure Gauge (0-25 Bar/0-350 psi)
- 18 Drain Connection Kit
- 19 Gauge Valve
- 20 System Main Drain Valve
- 21 Series 755 Manual Pull Station
- 22 Series 748 Ball Check Valve
- 23 Series 746-LPA Dry Accelerator (Optional/Sold Separately)
- 24 Series 753-E Solenoid Valve
- 25 Latching Solenoid Assembly
- 26 Braided Stainless Steel Flex Hose
- 27 Series 776 Low-Pressure Actuator
- 28 AutoConvert Assembly Air Pressure Gauge (0-5.5 Bar/0-80 psi with Retard)
- 29 Strainer
- 30 Solenoid Valve
- 31 Water Motor Alarm Shutoff Valve (Normally Open - Lockable)\*
- 32 Low Water Pressure Switch
- 33 AutoConvert Assembly Pre-Set Air Pressure Switch



\* Item 31, water motor alarm shutoff valve, can be closed to prevent water from flowing into the Series 760 Water Motor Alarm during conditions that are not favorable for the alarm to sound (i.e. during a trip test).

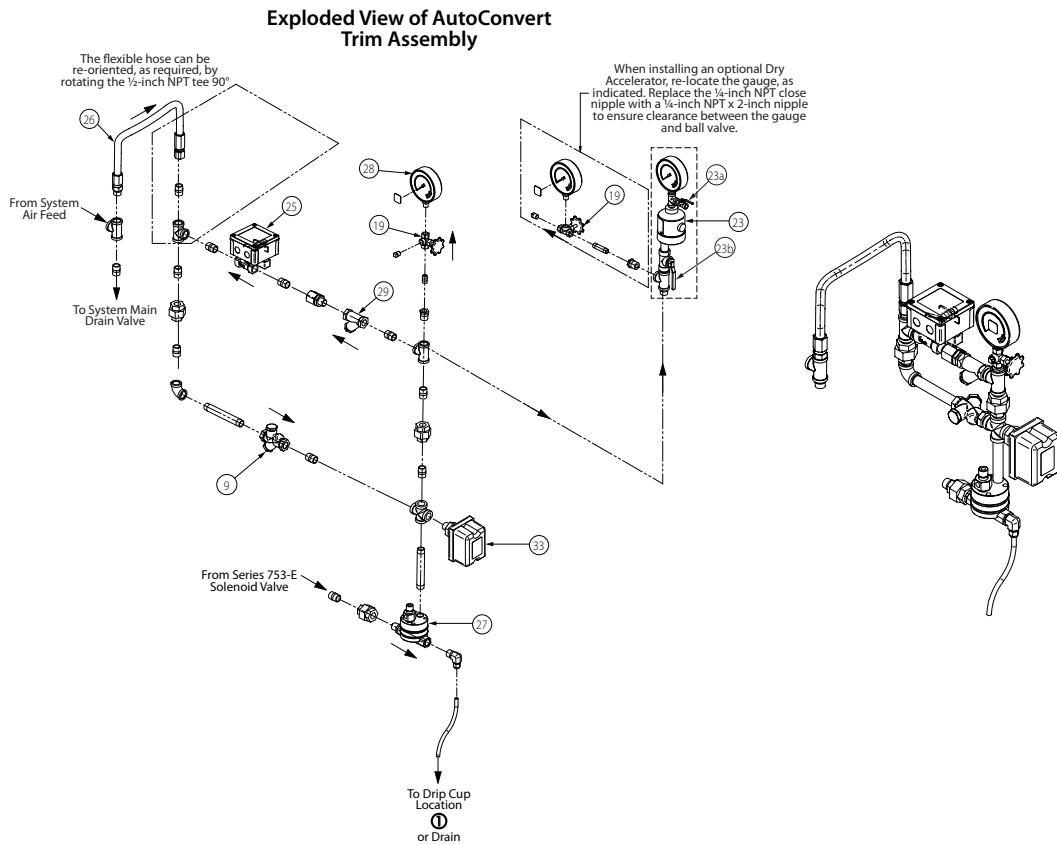
**Note 1:** Connection point for the Series 75D Water Column Device Kit

*Exaggerated for clarity*

# FireLock NXT™ Actuated Valve with LPCB Approved Preaction Trim

**SERIES 769**

With Preaction Trim  
Grooved x Grooved



# FireLock NXT™ Actuated Valve with LPCB Approved Preaction Trim

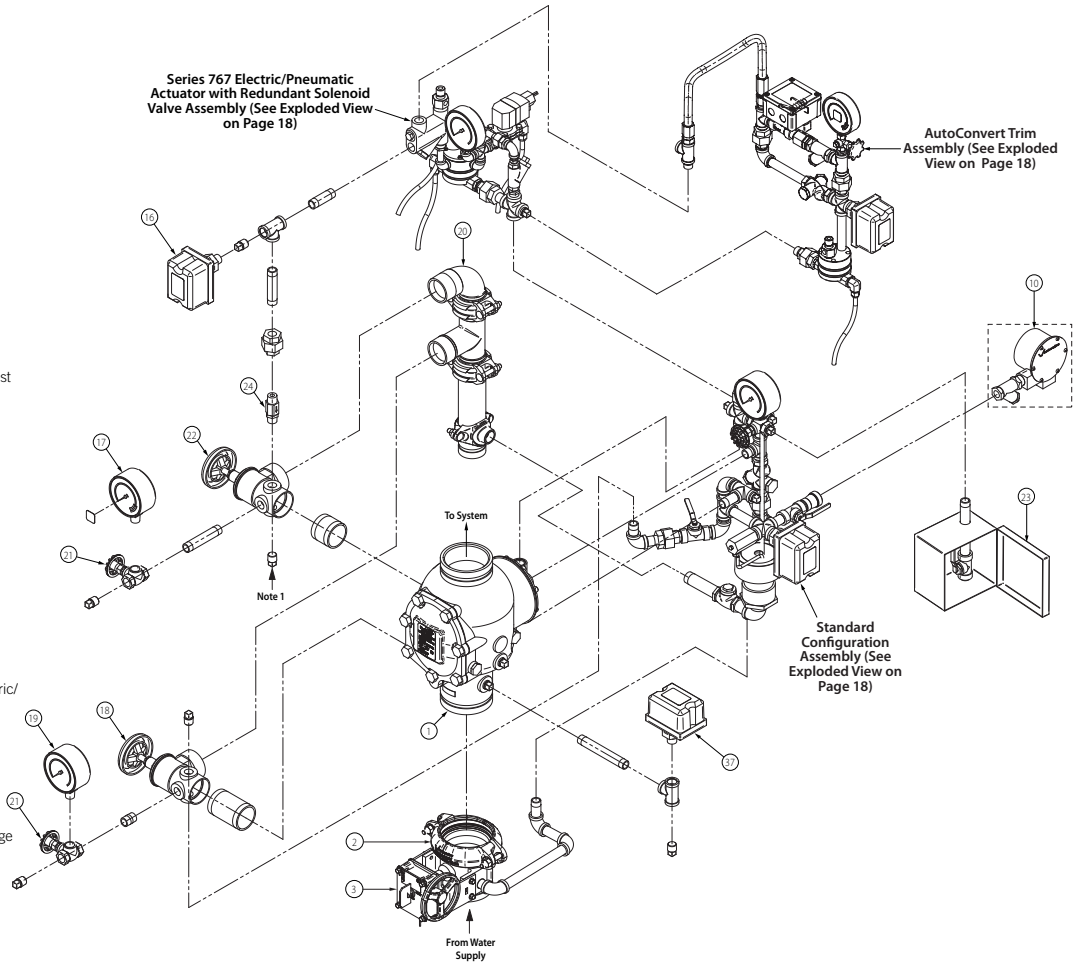
**SERIES 769**  
With Preaction Trim  
Grooved x Grooved

**Bill of Materials**

- 1 Series 769 FireLock NXT Preaction Valve
- 2 FireLock Rigid Coupling
- 3 Water Supply Main Control Valve
- 4 Drain Swing Check Valve
- 5 Drip Cup with Cap
- 6 Alarm Pressure Switch
- 7 Series 729 Drip Check Valve
- 8 Diaphragm-Charge-Line Ball Valve (Normally Open - Lockable)
- 9 3-in-1 Strainer/Check/Restrictor Assembly
- 10 Series 760 Water Motor Alarm (Optional/Sold Separately)
- 11 Alarm Test Ball Valve (Normally Closed - Lockable)
- 12 Diaphragm-Charge-Line Pressure Gauge (0-25 Bar/0-350 psi)
- 13 Series 749 Auto Drain
- 14 Series 767 Electric/Pneumatic Actuator
- 15 Air Manifold
- 16 Air Supervisory Pressure Switch
- 17 System Pressure Gauge (0-16 Bar with Mark Pointers)
- 18 Water Supply Main Drain Valve - Flow Test
- 19 Water Supply Pressure Gauge (0-25 Bar/0-350 psi)
- 20 Drain Connection Kit
- 21 Gauge Valve
- 22 System Main Drain Valve
- 23 Series 755 Manual Pull Station
- 24 Series 748 Ball Check Valve
- 25 Series 746-LPA Dry Accelerator (Optional/Sold Separately)
- 26 Upper Chamber Strainer (100 Mesh) for Series 767 Electric/Pneumatic Actuator
- 27 Upper Chamber Pressure Gauge for Series 767 Electric/Pneumatic Actuator
- 28 Auto Vent for Series 767 Electric/Pneumatic Actuator
- 29 Upper Chamber Inlet Restrictor (0.8-mm/.032-inch) for Series 767 Electric/Pneumatic Actuator
- 30 Upper Chamber Check Valve (6.4-mm/¼-inch) for Series 767 Electric/Pneumatic Actuator
- 31 Latching Solenoid Module
- 32 Braided Stainless Steel Flex Hose
- 33 Series 776 Low-Pressure Actuator
- 34 AutoConvert Assembly Air Pressure Gauge (0-5.5 Bar/0-80psi with Retard)
- 35 Strainer
- 36 Water Motor Alarm Shutoff Valve (Normally Open - Lockable)\*
- 37 Low Water Pressure Switch
- 38 Solenoid Valve
- 39 AutoConvert Assembly Pre-Set Air Pressure Switch

\* Item 36, water motor alarm shutoff valve, can be closed to prevent water from flowing into the Series 760 Water Motor Alarm during conditions that are not favorable for the alarm to sound (i.e. during a trip test). See Standard Configuration Assembly detail on page 18.

**Note 1:** Connection point for the Series 75D Water Column Device Kit



*Exaggerated for clarity*



# FireLock NXT™ Actuated Valve with LPCB Approved Preaction Trim

**SERIES 769**  
With Preaction Trim  
Grooved x Grooved

**WARRANTY** Refer to the Warranty section of the current Price List or contact Victaulic for details.

**NOTE** This product shall be manufactured by Victaulic or to Victaulic specifications. All products to be installed in accordance with current Victaulic installation/assembly instructions. Victaulic reserves the right to change product specifications, designs and standard equipment without notice and without incurring obligations.

**WARNING** 

 <b>WARNING</b>	
	<ul style="list-style-type: none"> <li>• This product must be installed by an experienced, trained installer, in accordance with the instructions provided with each valve. These instructions contain important information.</li> </ul> <p>Failure to follow these instructions may result in serious personal injury, property damage, or valve leakage.</p> <p>If you need additional copies of this product literature or the valve installation instructions, or if you have any questions about the safe installation and use of this device, contact Victaulic Company, P.O. Box 31, Easton, PA 18044-0031 USA, Telephone: 001-610-559-3300.</p>

For complete contact information, visit [www.victaulic.com](http://www.victaulic.com)

30.85 5780 REV D UPDATED 04/2018

VICTAULIC IS A REGISTERED TRADEMARK OF VICTAULIC COMPANY. © 2018 VICTAULIC COMPANY. ALL RIGHTS RESERVED.

